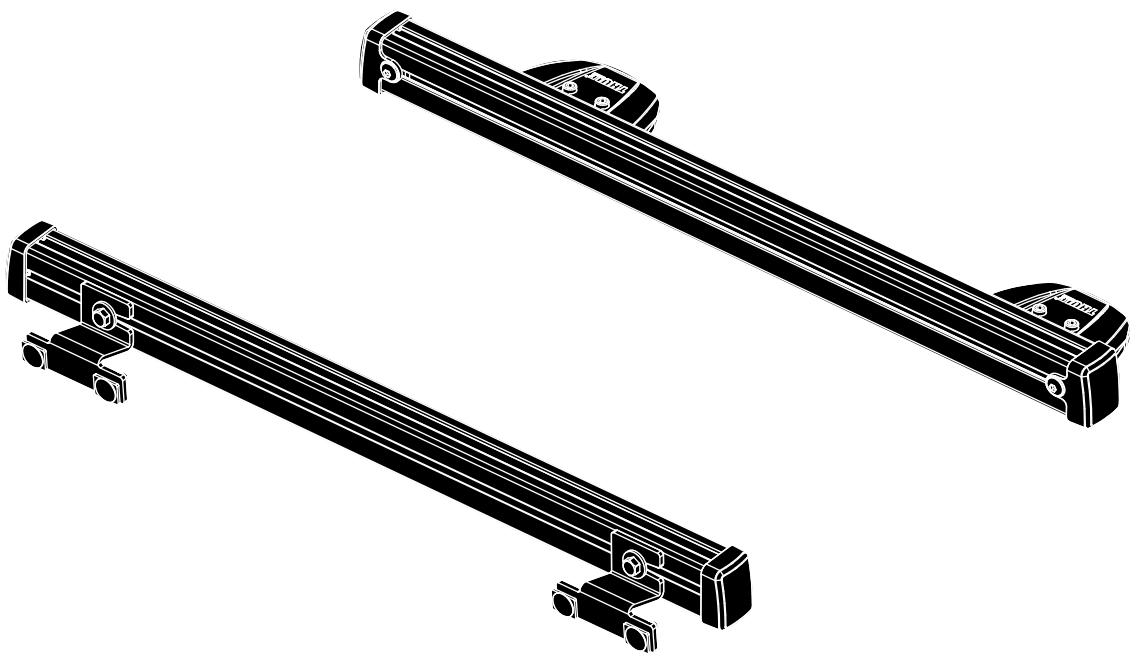




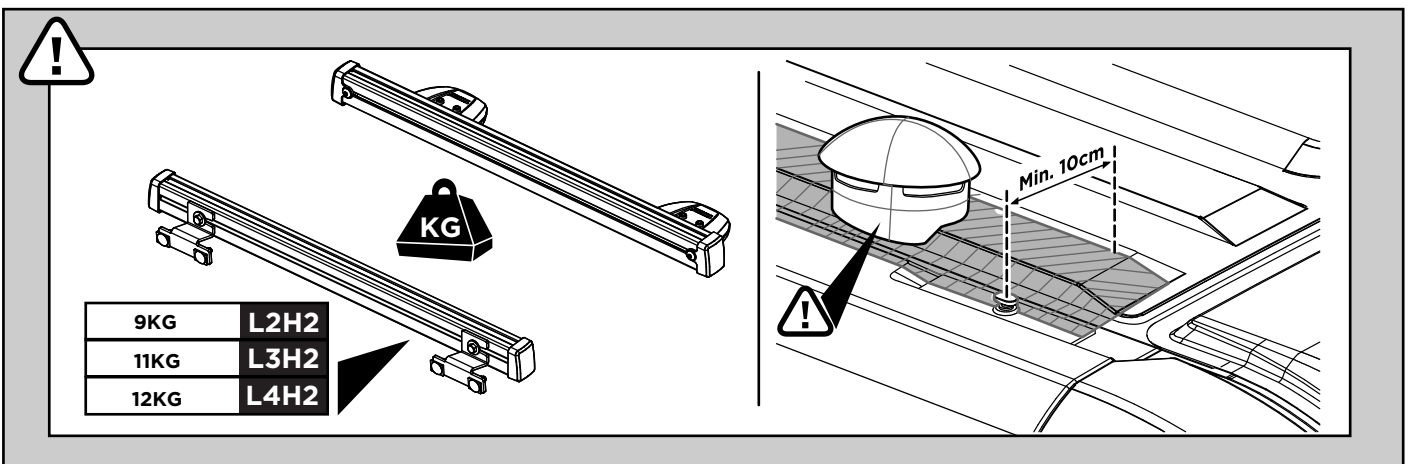
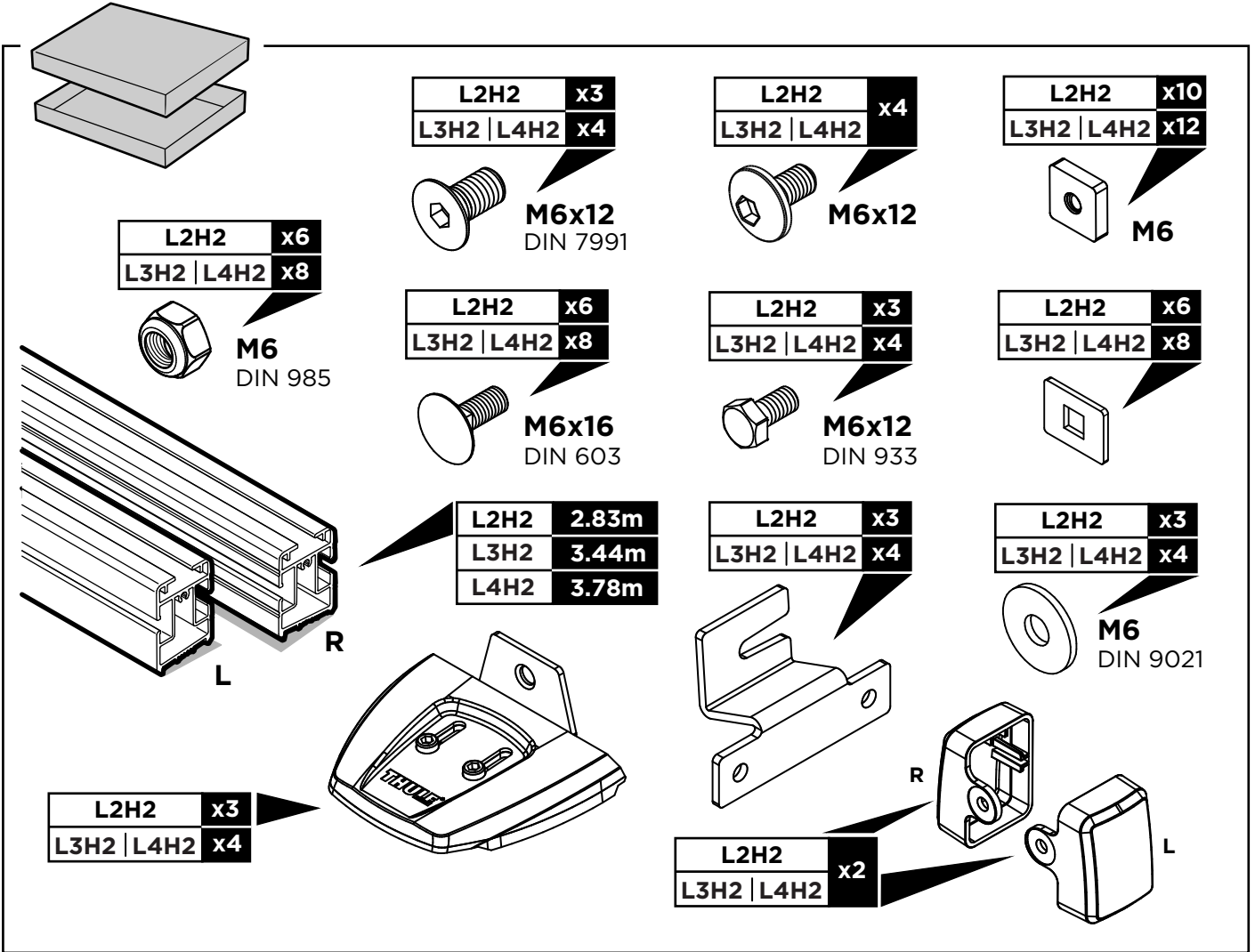
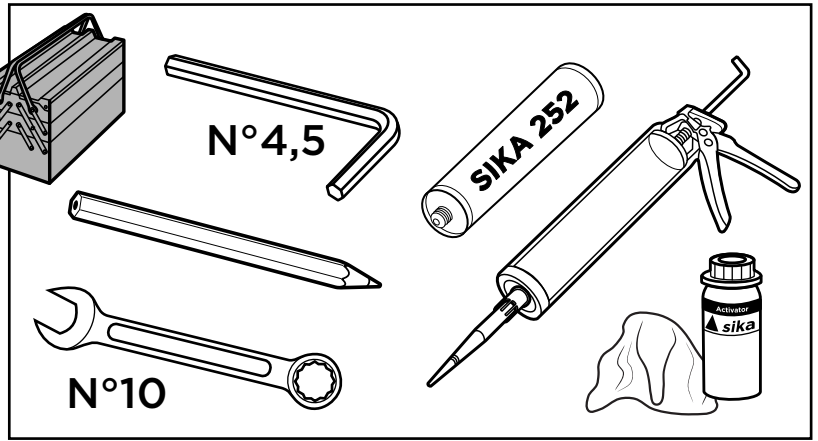
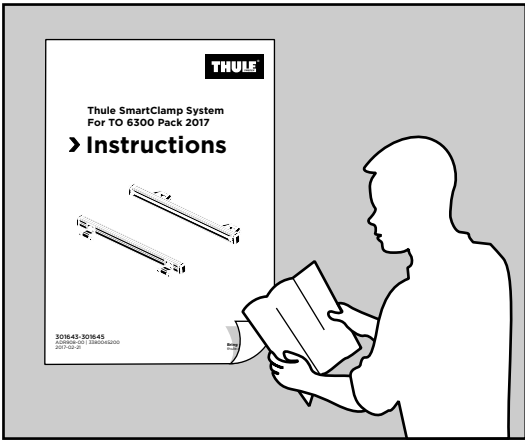
Thule SmartClamp System for TO 6200/6300 Pack

➤ Instructions



301643-301644-301645
ADR908-01 | 3380045200
2017-02-21

Bring your life
thule.com



80km/h
40km/h
0 km/h 130km/h

MAX. 150KG	L2H2
MAX. 200KG	L3H2
MAX. 200KG	L4H2

L2H2

3.25m
2.50m
5.40m

i

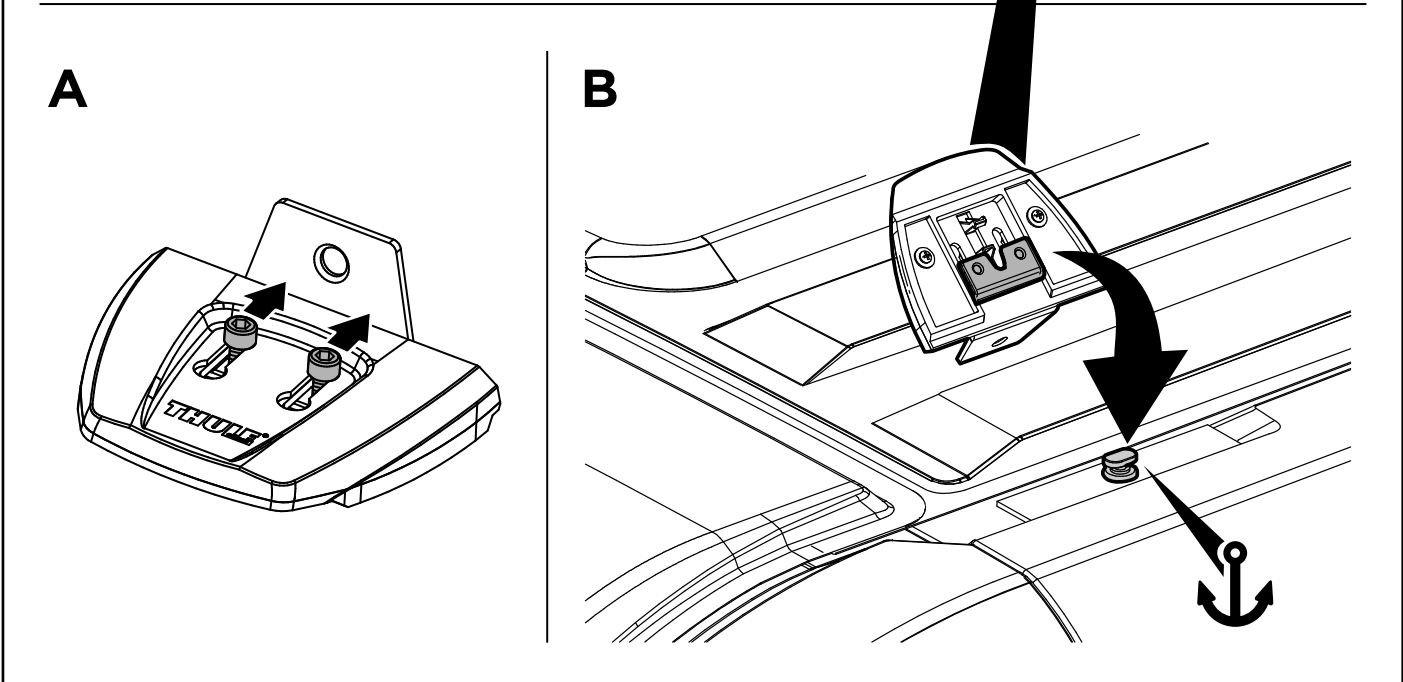
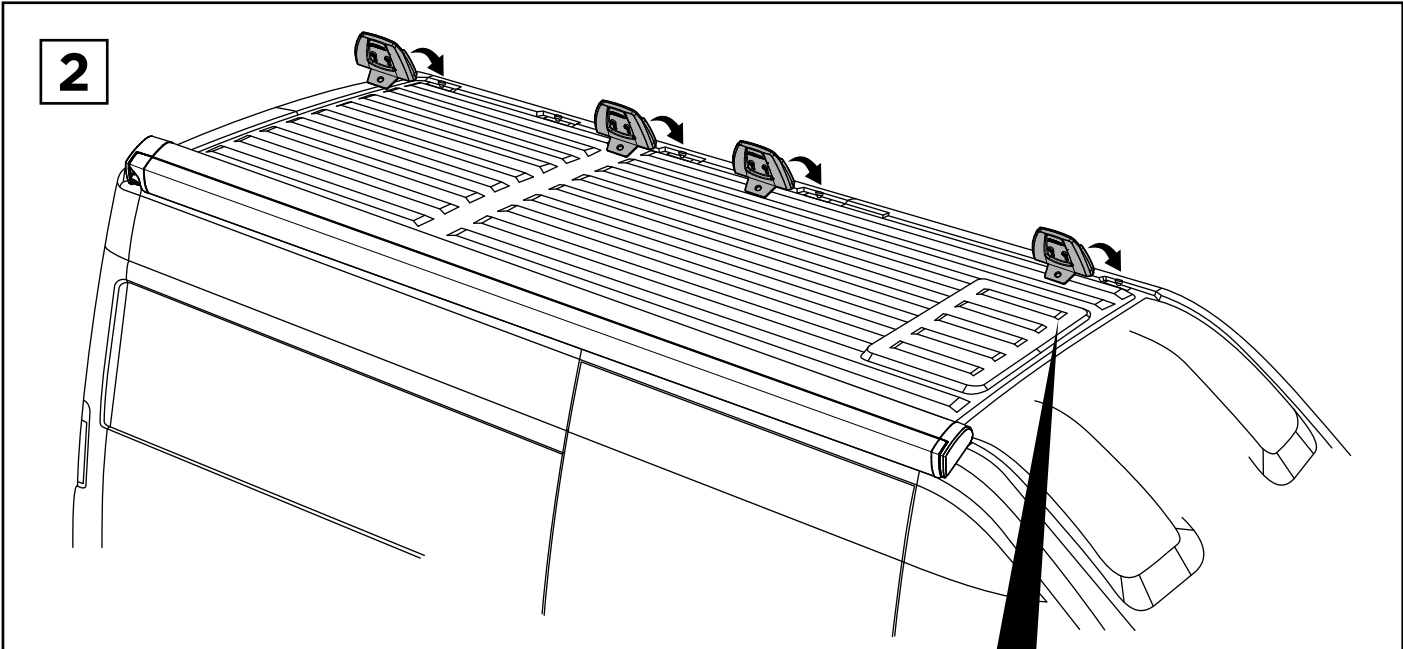
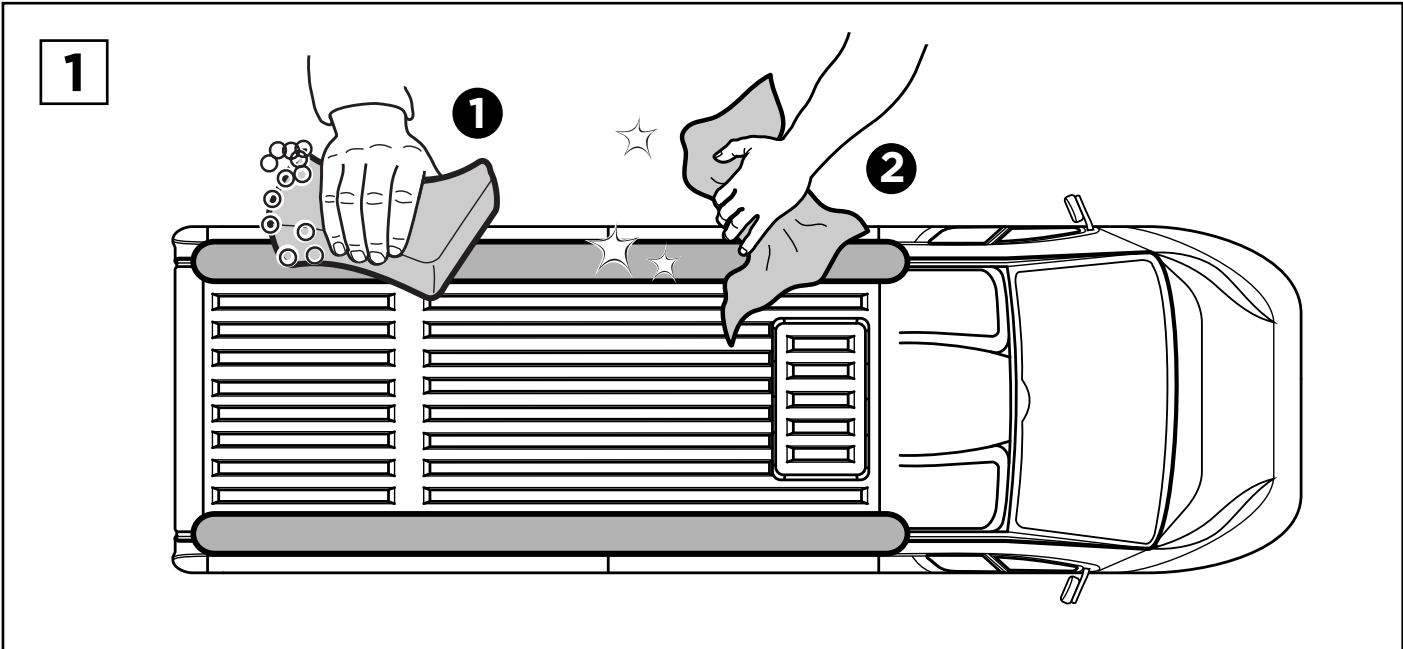
*UK: Mirrored setup for left hand drive

L3H2

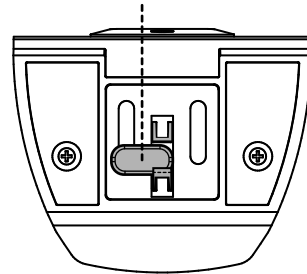
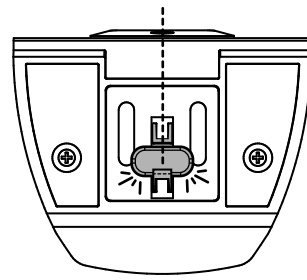
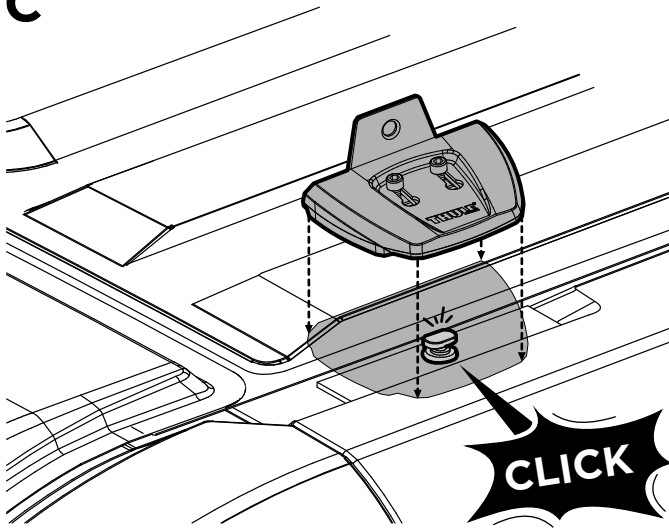
3.75m
2.50m
6.00m

L4H2

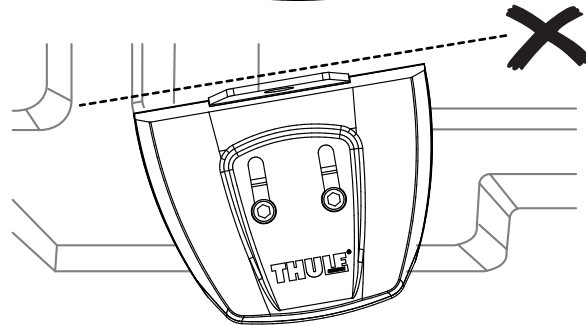
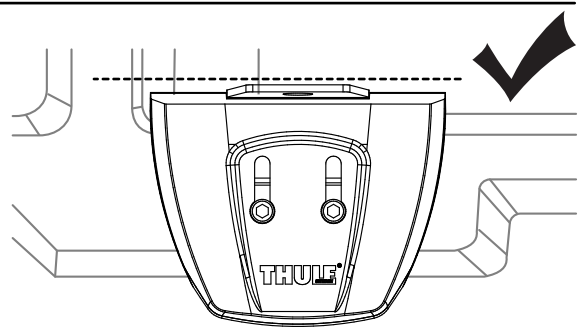
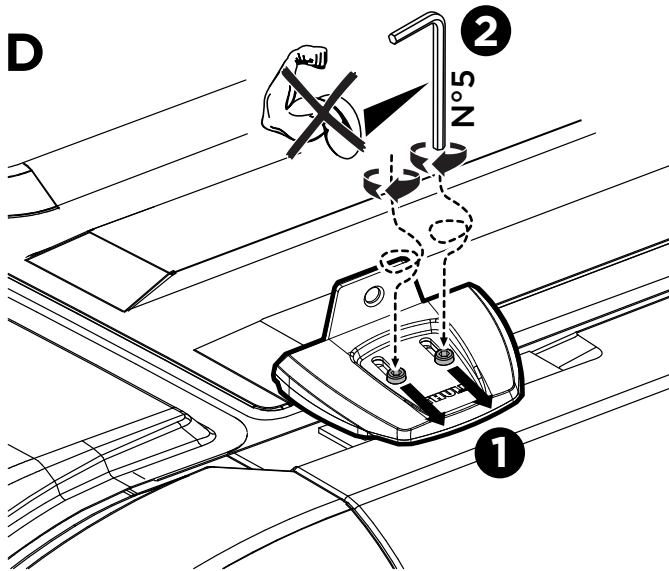
4.00m
2.50m
6.35m



C



D



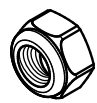
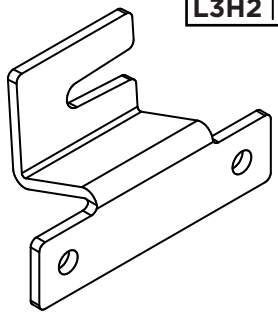
3

L2H2	x3
L3H2 L4H2	x4

L2H2	x6
L3H2 L4H2	x8

L2H2	x6
L3H2 L4H2	x8

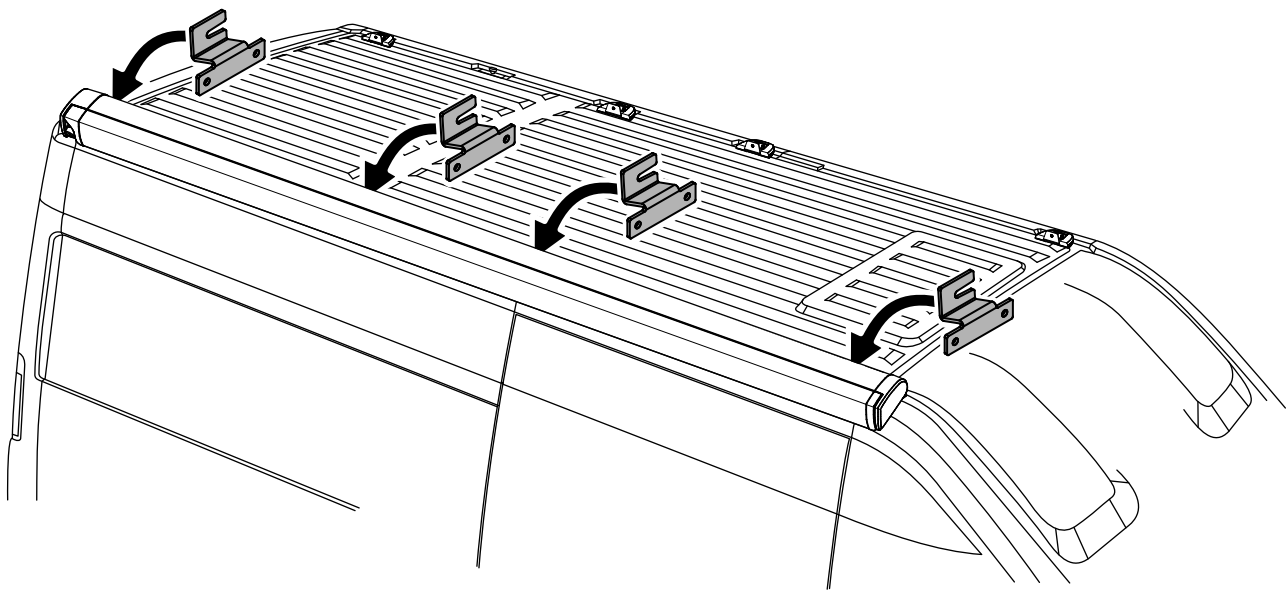
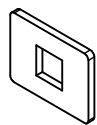
L2H2	x6
L3H2 L4H2	x8



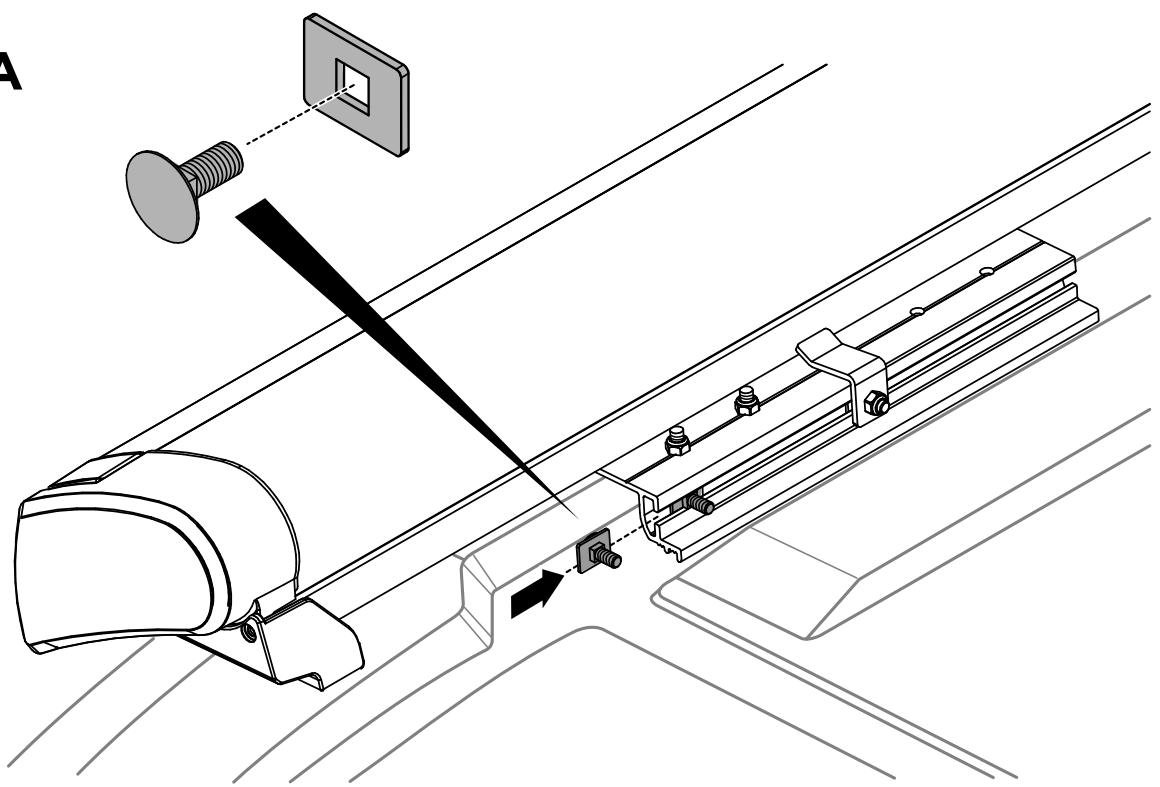
M6
DIN 985

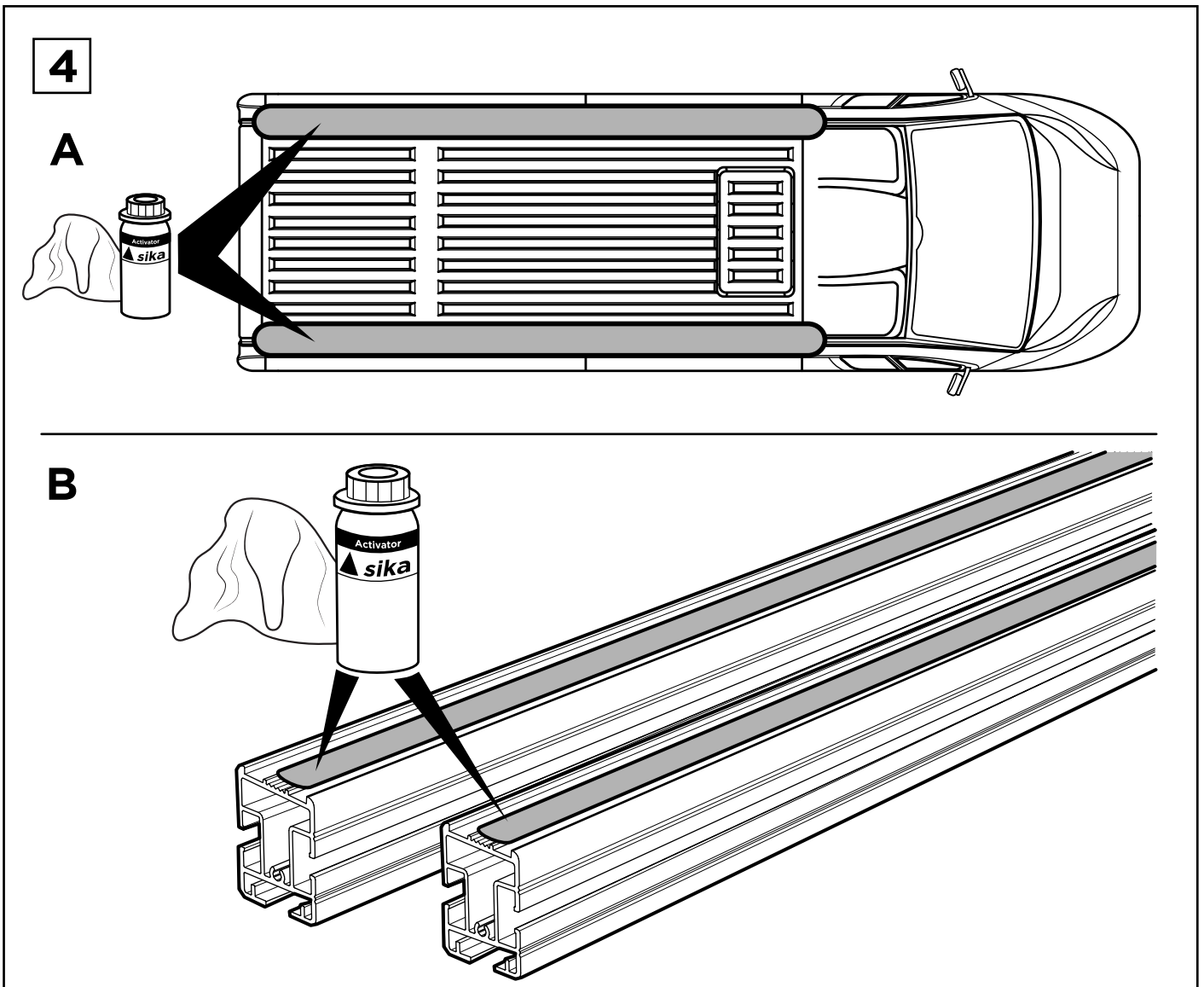
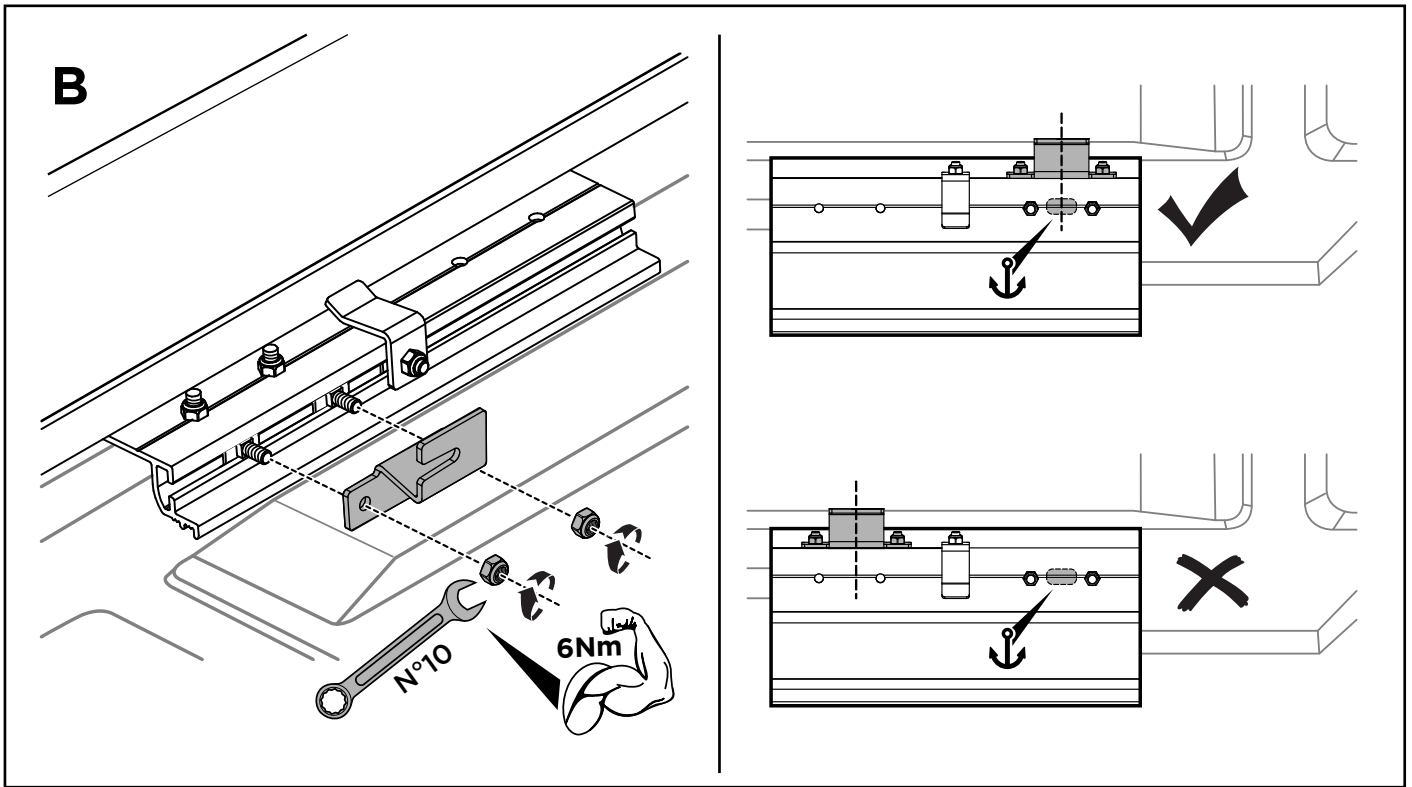


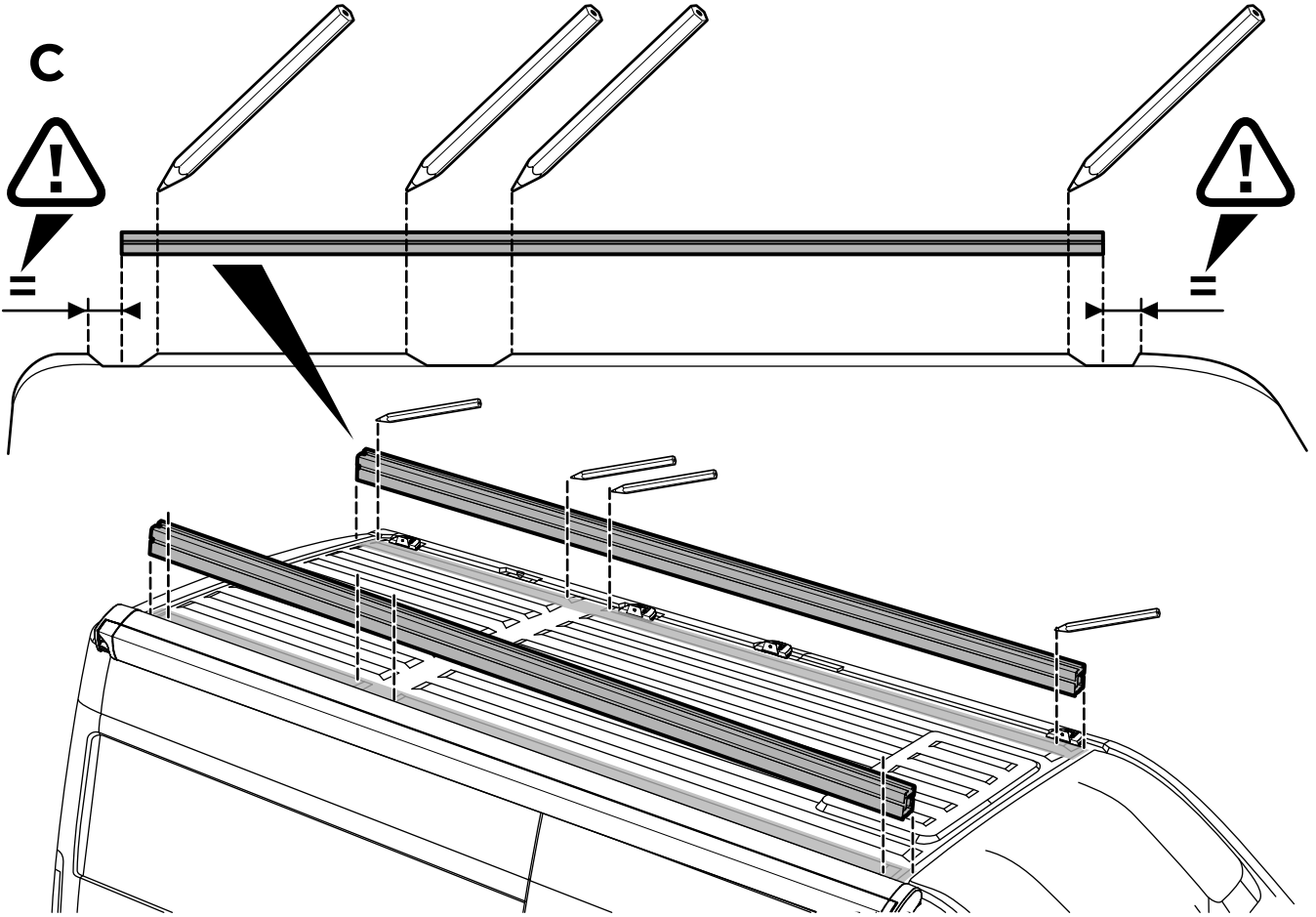
M6x16
DIN 603



A

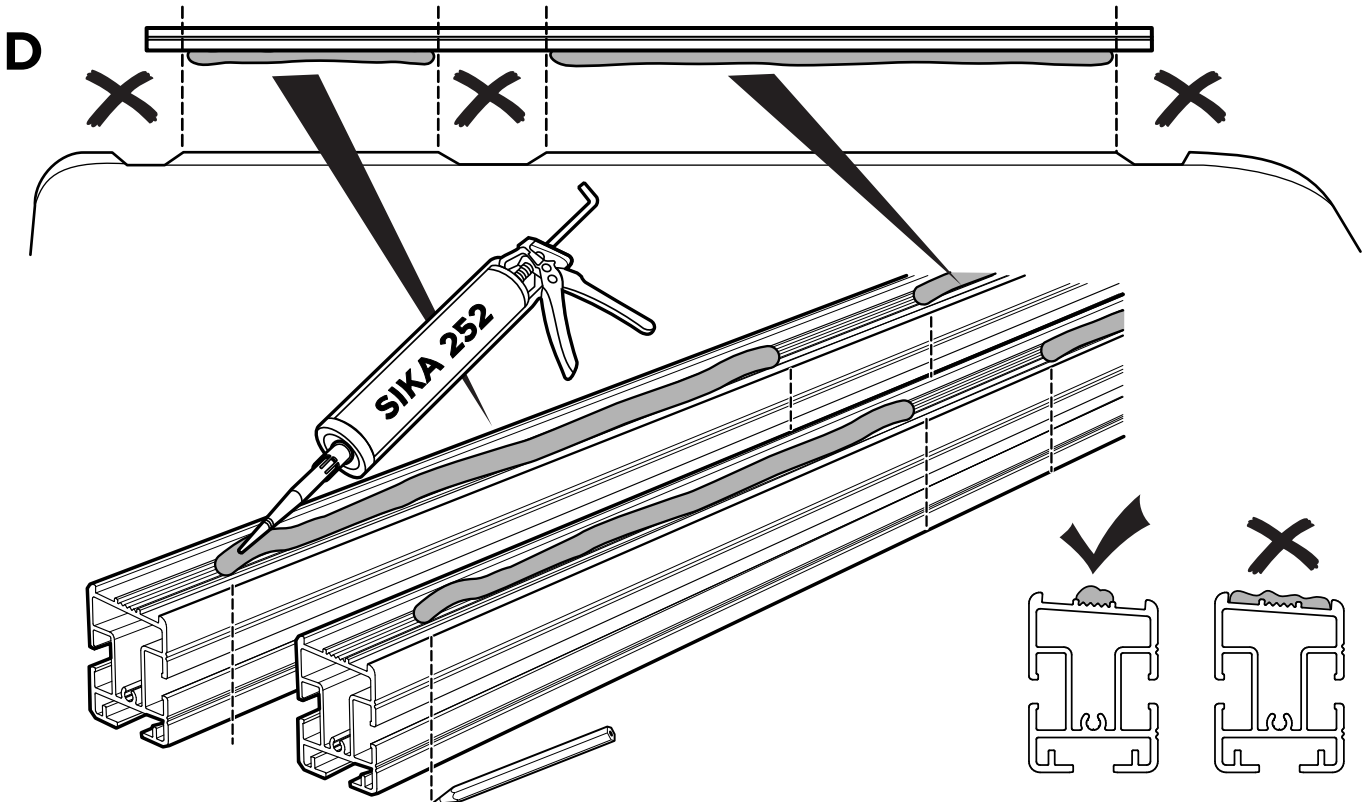




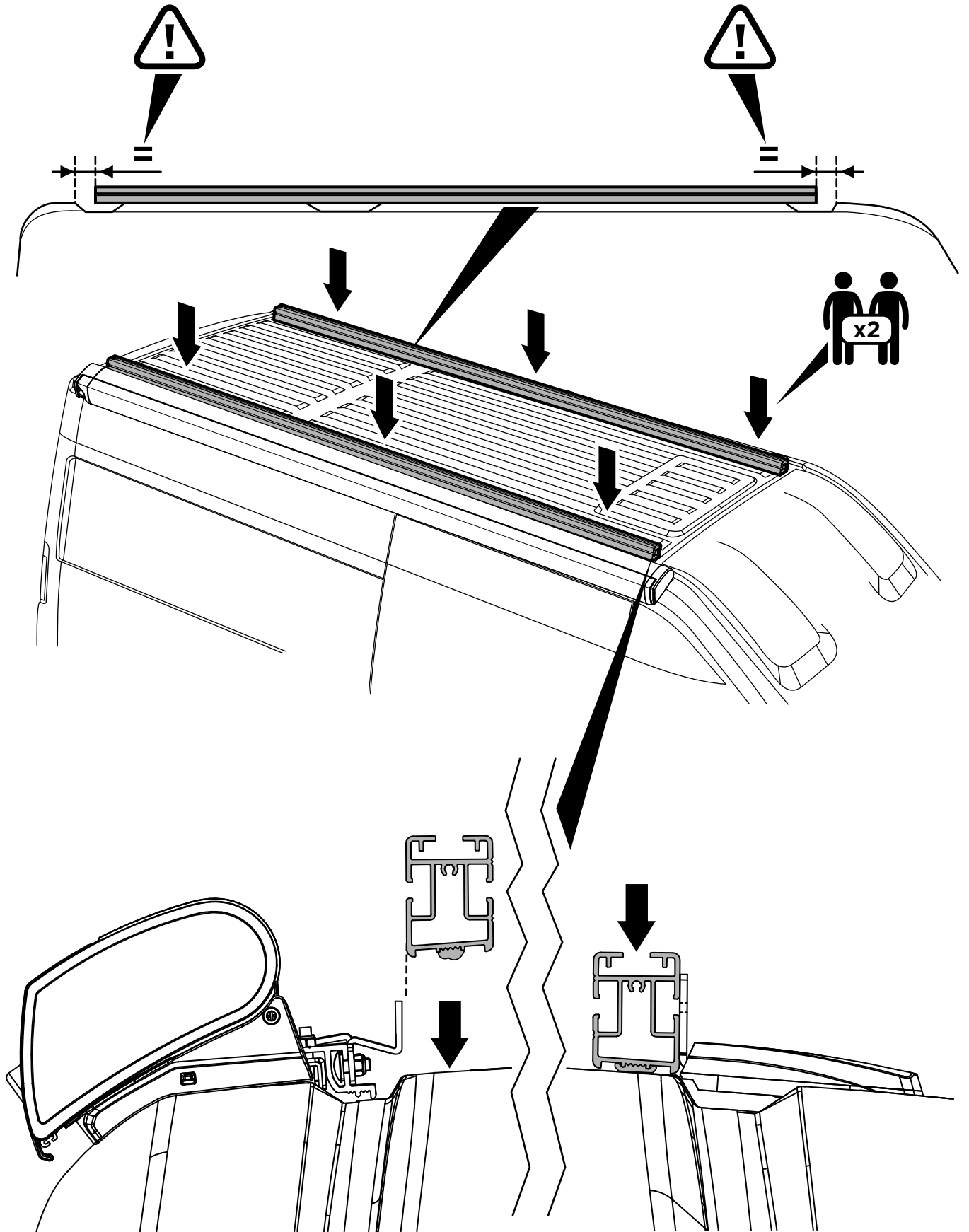


Glue / Lijmen / Verklebung / Coller:
 Thule recommends / beveelt aan / empfiehlt / recommande:
SIKA 252 or Terostat MS937

Preparation and sealing according to the prescripts of the glue supplier.
 Voorbehandeling en afdichting volgens de voorschriften van de lijmfabrikant.
 Primern und Abdichtung nach Anweisung des Dichtmittelherstellers.
 Procédure d'installation suivant les prescriptions indiquées sur l'emballage du produit.



E



5

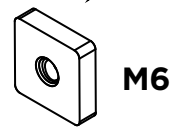
L2H2	x3
L3H2 L4H2	x4



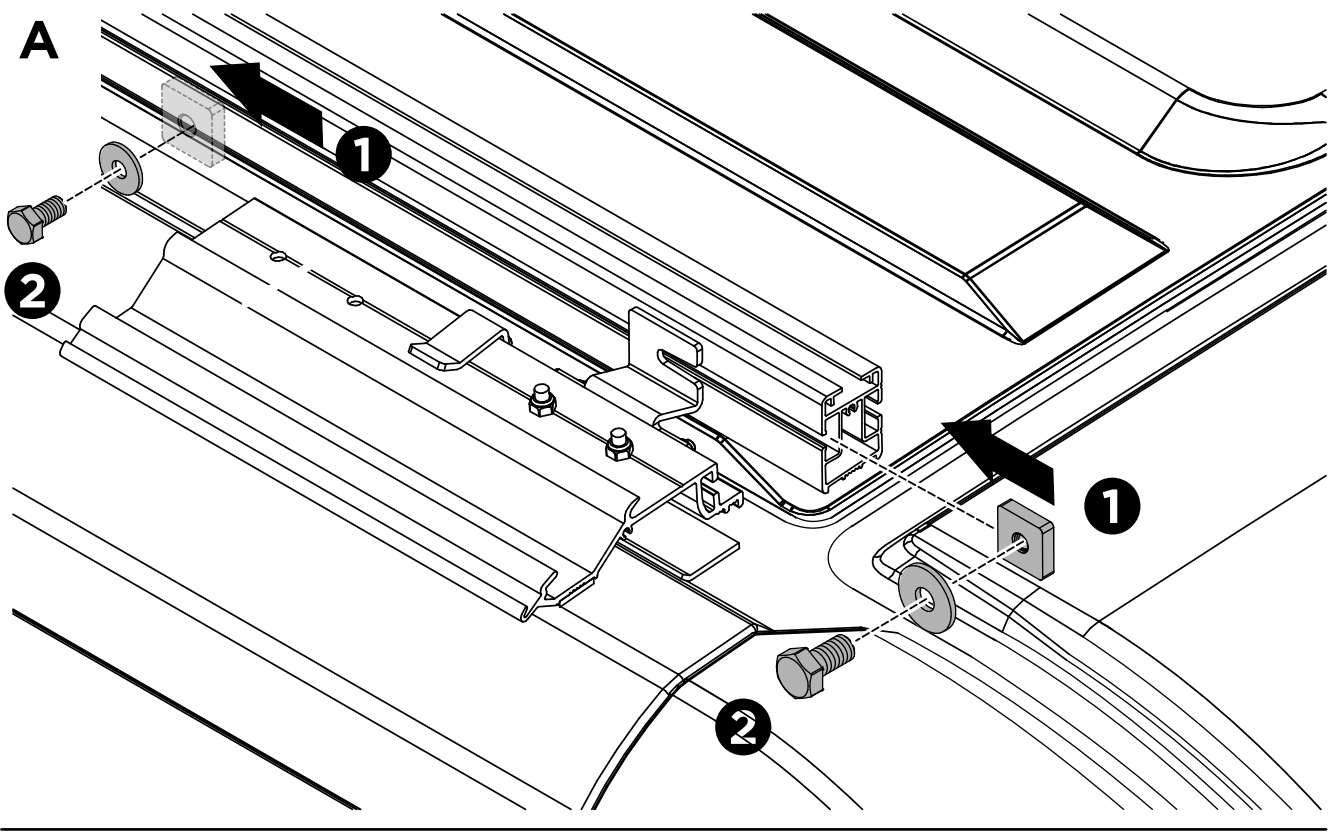
L2H2	x3
L3H2 L4H2	x4



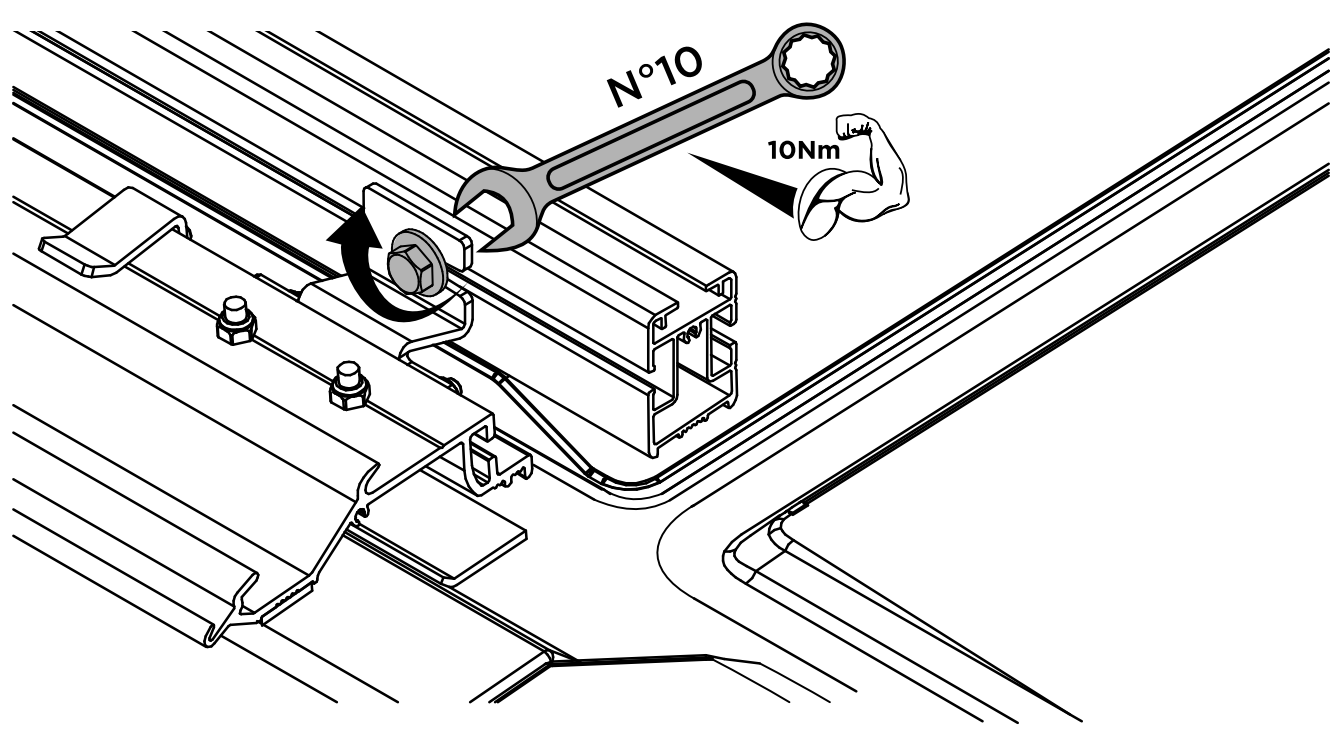
L2H2	x6
L3H2 L4H2	x8



A



B



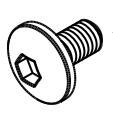
6

L2H2 x4
L3H2 | L4H2

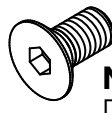
L2H2 x6
L3H2 | L4H2 x8

L2H2 x10
L3H2 | L4H2 x12

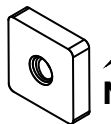
L2H2 x2
L3H2 | L4H2



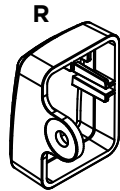
M6x12



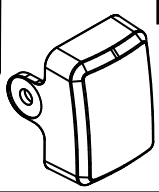
M6x12
DIN 7991



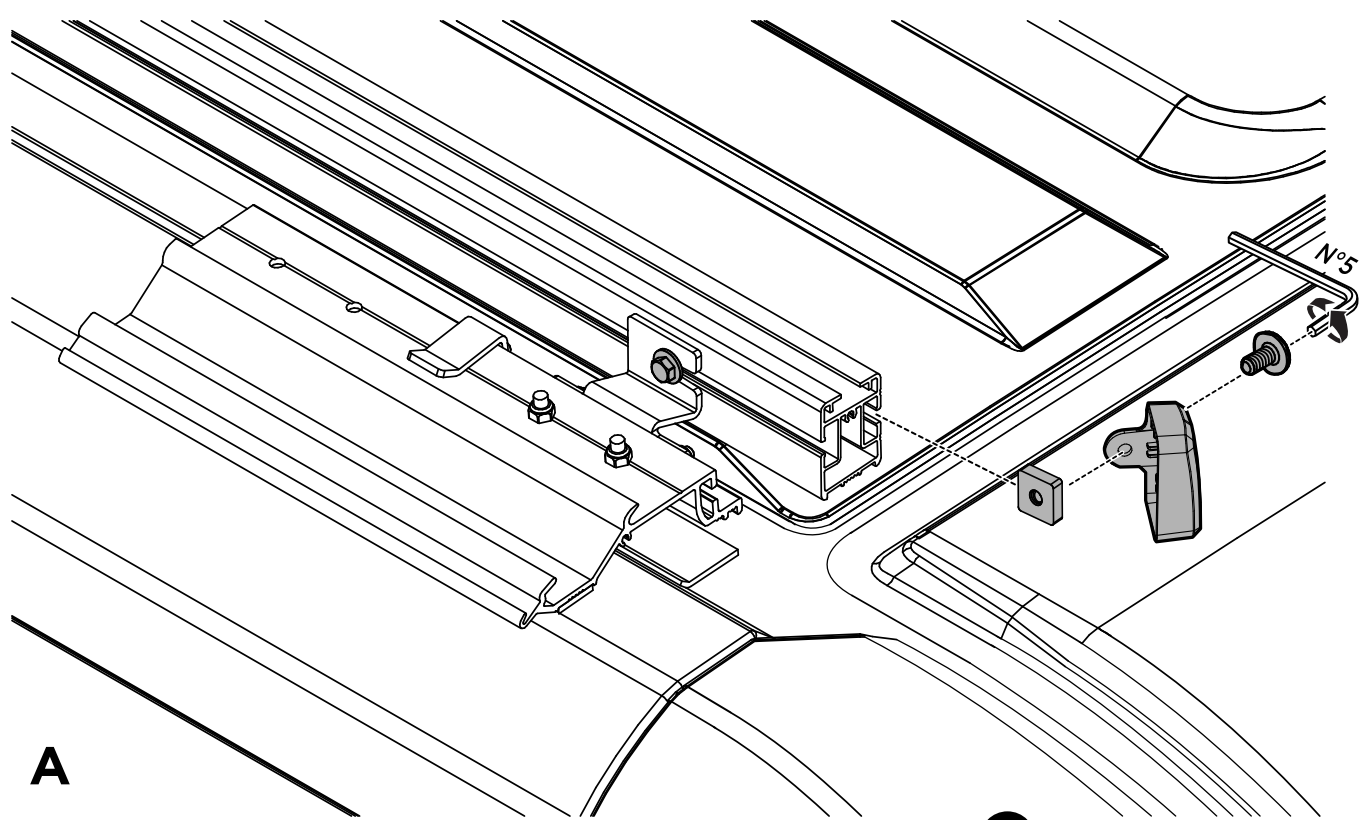
M6



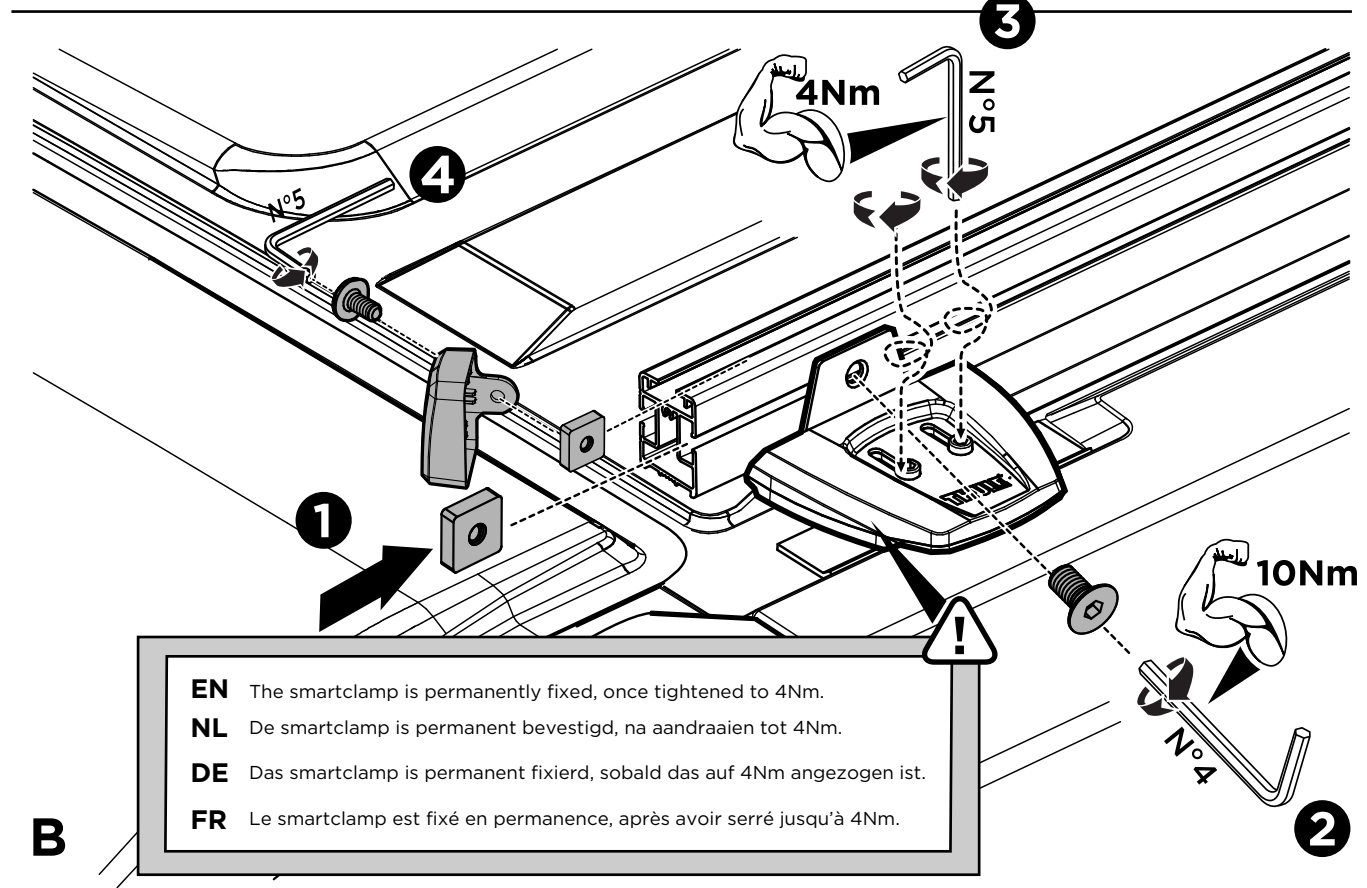
R



L



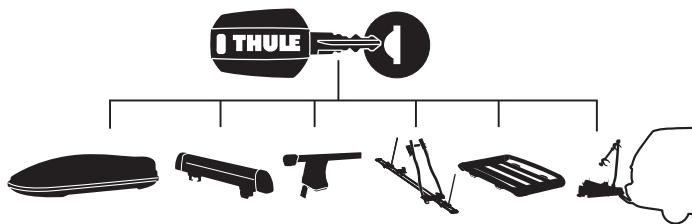
A



EN The smartclamp is permanently fixed, once tightened to 4Nm.
NL De smartclamp is permanent bevestigd, na aandraaien tot 4Nm.
DE Das smartclamp is permanent fixiert, sobald das auf 4Nm angezogen ist.
FR Le smartclamp est fixé en permanence, après avoir serré jusqu'à 4Nm.

B

Thule One-Key System



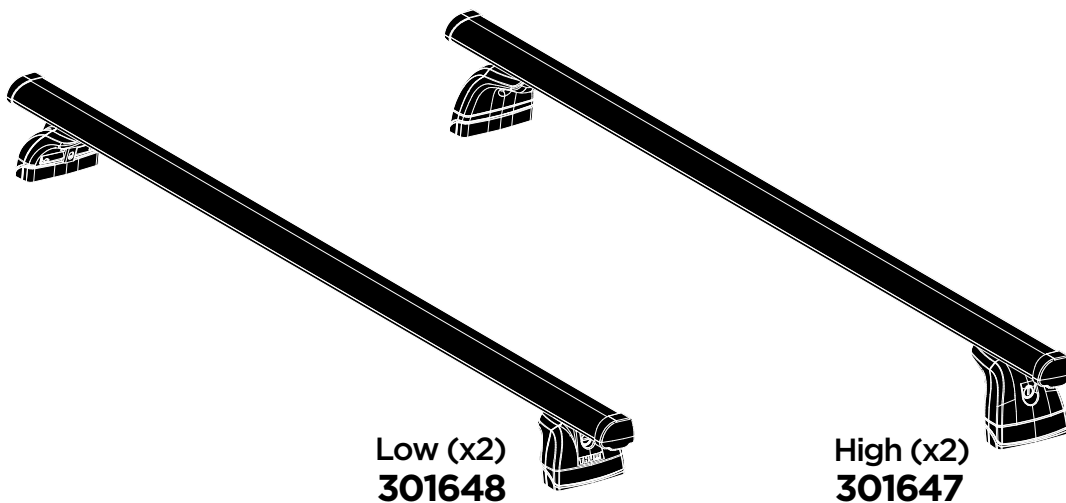
544  (x4)

596  (x6)

588  (x8)

452  (x12)

Thule ProBar Flex



Low (x2)
301648

High (x2)
301647